

Model PTE

General Purpose Pressure Transducer

Description

PTE model is the low price, the compact size pressure transmitter. It can be applied to precise measurement and builds an inner amplifier to interface with various kinds of controllers.

Features

- ▶ CE Certified
- ▶ Built-in amplifier Circuit(VDC, mA)
- ▶ Measuring range 0~10MPa
- ▶ 0.5%FS accuracy
- ▶ Piezoresistive silicon cell
- ▶ Stainless steel, VITON media-wetted materials

Applications

- ▶ Off road equipment
- ▶ Hydraulics & Pneumatic
- ▶ Compressor control
- ▶ Industrial engines
- ▶ Pump pressure control

Specifications



Range

0 ~ 100kPa ...10MPa (Gauge, Absolute)

Performance

Accuracy	±0.5%FS(RSS)
Thermal Effect on Zero	±0.05%FS/°C
Thermal Effect on Span	±0.05%FS/°C
Compensated Temperature Range	-10 ~ 70°C
Operating Temperature Range	-20 ~ 80°C

Electrical

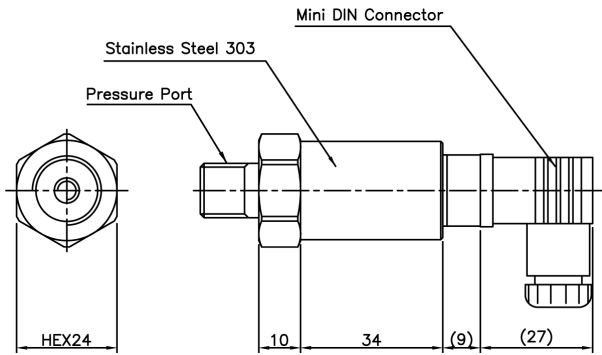
Excitation	11 ~ 28VDC
Output	0~5VDC, 1~5VDC, 0~10VDC, 4~20mA(2Wire)
Electrical Connection	Mini DIN Connector

Physical

Proof Pressure	150%FS Max.
Burst Pressure	200%FS Min.
Vibration	49.1m/s ² {5G}, 10~500Hz
Shock	490m/s ² {50G}
Pressure port	R(PT)1/4", G(PF)1/4", (Other Connection Available on Request)
Media-Wetted Materials	Stainless Steel 303, 316L, VITON (G1/4 Seal : NBR)
Weight	Approx. 100g

Dimension

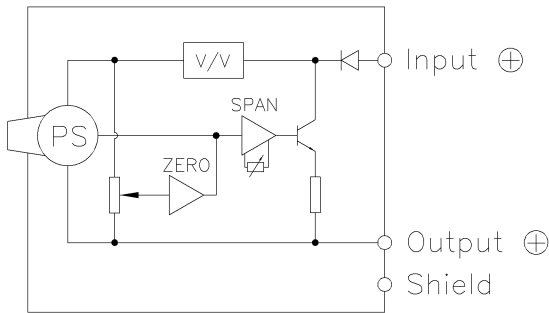
▶ Mini DIN connector Type



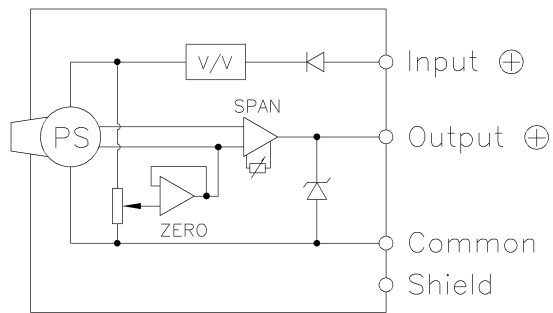
Pin No.	Connections	
	3Wire	2Wire
1	Input ⊕	Input ⊕
2	Common ⊖	Output ⊕
3	Output ⊕	×
⊕	Earth	Earth

Internal Circuit Diagram

▶ 2Wire mA Output Type



▶ 3, 4Wire VDC Output Type



Ordering Information

Model Name		PTE E 0100 R A M G		Type of Pressure Measurement	
Output				G : Gauge J : Absolute	
Pressure Range				Connecting Methods	
Pressure Unit				M : Mini DIN Connector	
				Pressure port	
				C : R(PT)1/4" D : G(PF)1/4"	

Output
 B : 4Wire 0~5V H : 2Wire 4~20mA
 C : 3Wire 0~5V J : 3Wire 0~10V
 D : 4Wire 1~5V K : 4Wire 0~10V
 E : 3Wire 1~5V

Pressure Range
 XXXX : Pressure

Pressure Unit
 R : kPa M : MPa
 B : bar K : kgf/cm²
 P : psi H : mmHg